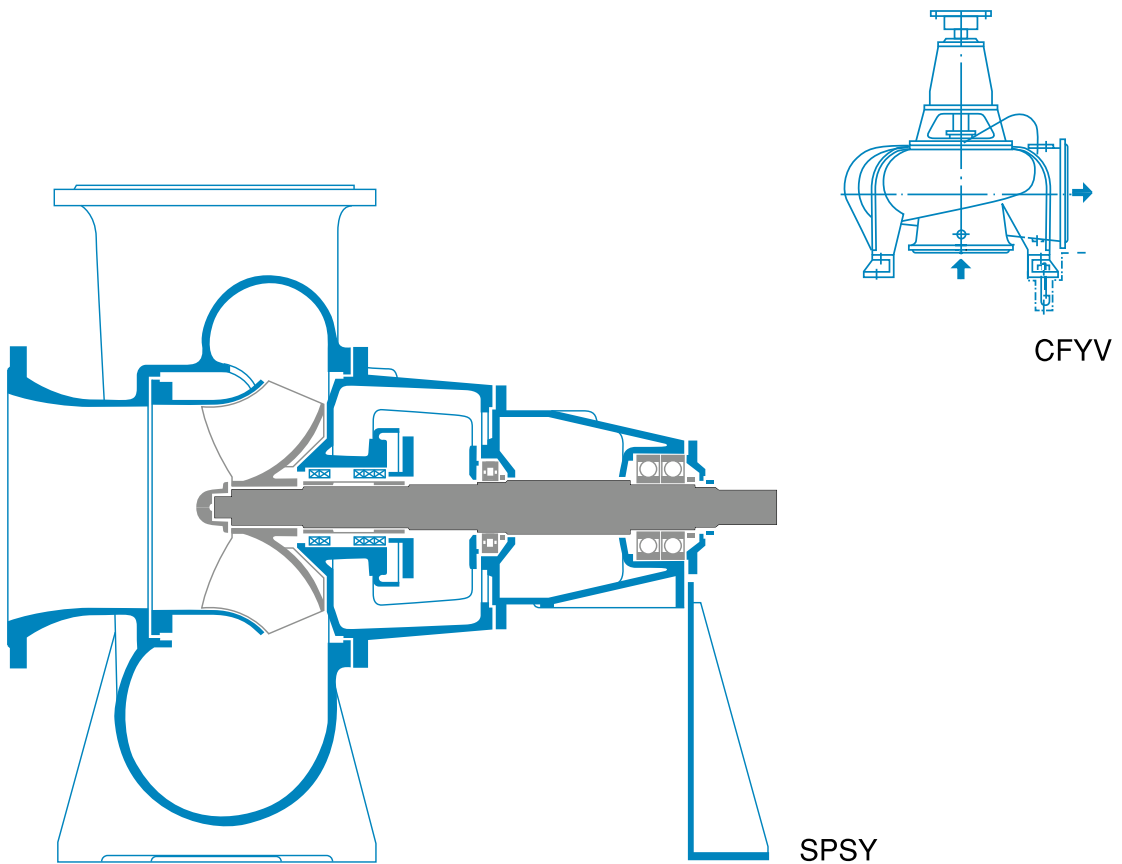


SPSY CFYV Vertical

Volute Casing Pumps with mixed flow impeller



Applications

SPY series pumps can handle clean and heavily contaminated liquids and are mainly used in municipal and industrial water supply and sewage disposal applications, as cooling water pumps in power stations and in drainage and irrigation systems.

Design

Single stage, horizontal process design or vertical pumps; end suction with tangential discharge nozzle.

Installation

Horizontal or vertical dry installation with various mounting arrangement options.

Horizontal

- Pump and driver on separate baseplate
- Pump and driver on common baseplate
- Pump and driver separate on foundation rails

Vertical

- Driver mounted on drive stool
- Driver mounted on drive stool and supported
- Drive on own foundation, drive direct or via intermediate shaft

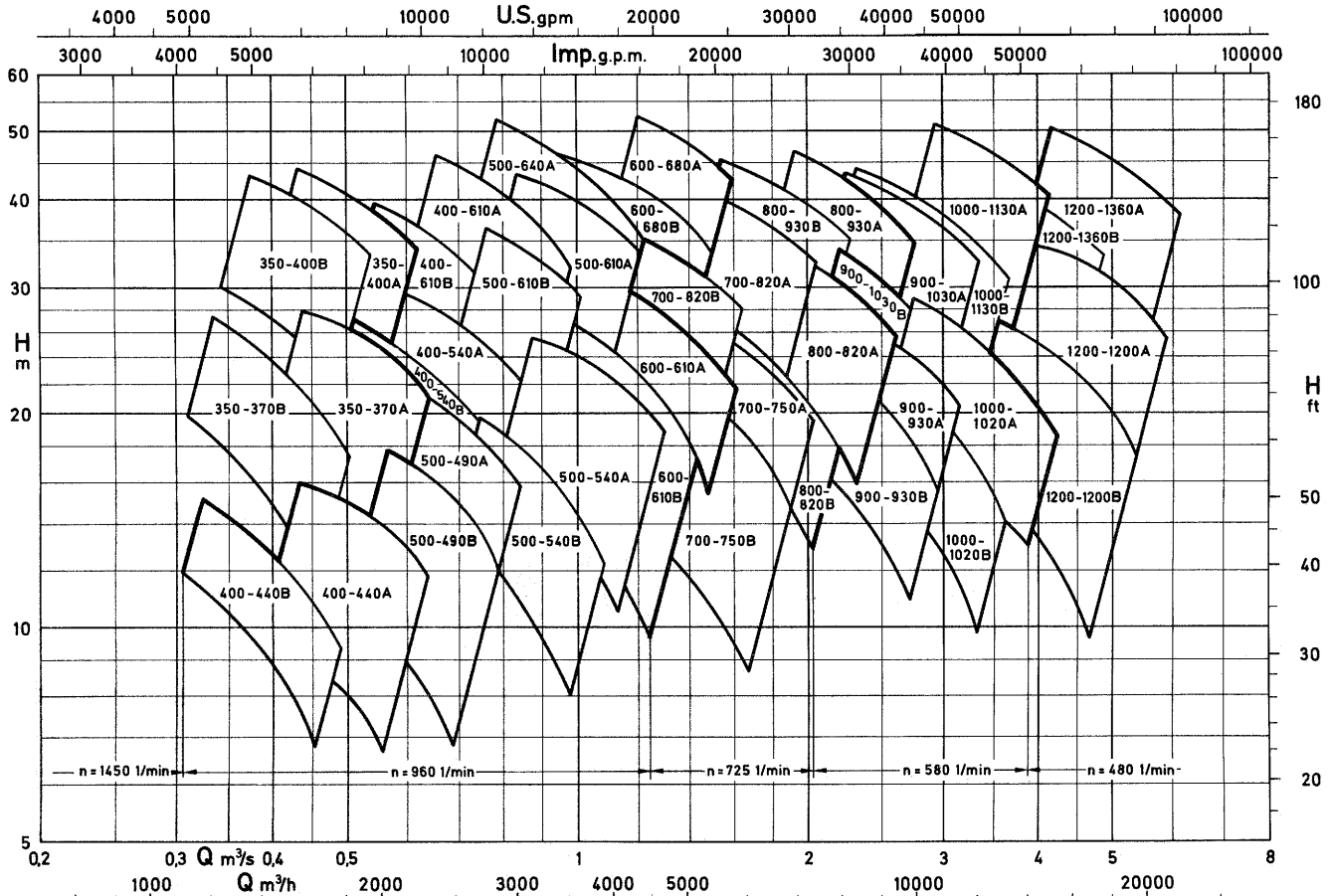
Casing

Single stage, ribbed volute casing with renewable casing wear rings and integral pedestal.

Impeller

Mixed flow impeller, open or closed depending on total head. With open impellers most of axial thrust is accommodated by back vanes, with closed impellers by balance bores.

Selection Chart 50Hz



Shaft Seal

Gland packing with sealing liquid connection for suction lift operation. Renewable shaft protecting sleeve. Various makes of mechanical seal also available.

Bearings

Two shaft bearings. Pump sizes up to 700-820:

SPY: grease or oil lubricated ball and roller bearings

CFYV: grease lubricated ball and roller bearings

Pumps above 700-820:

SPY: oil lubricated

CFYV: combined oil and grease lubrication

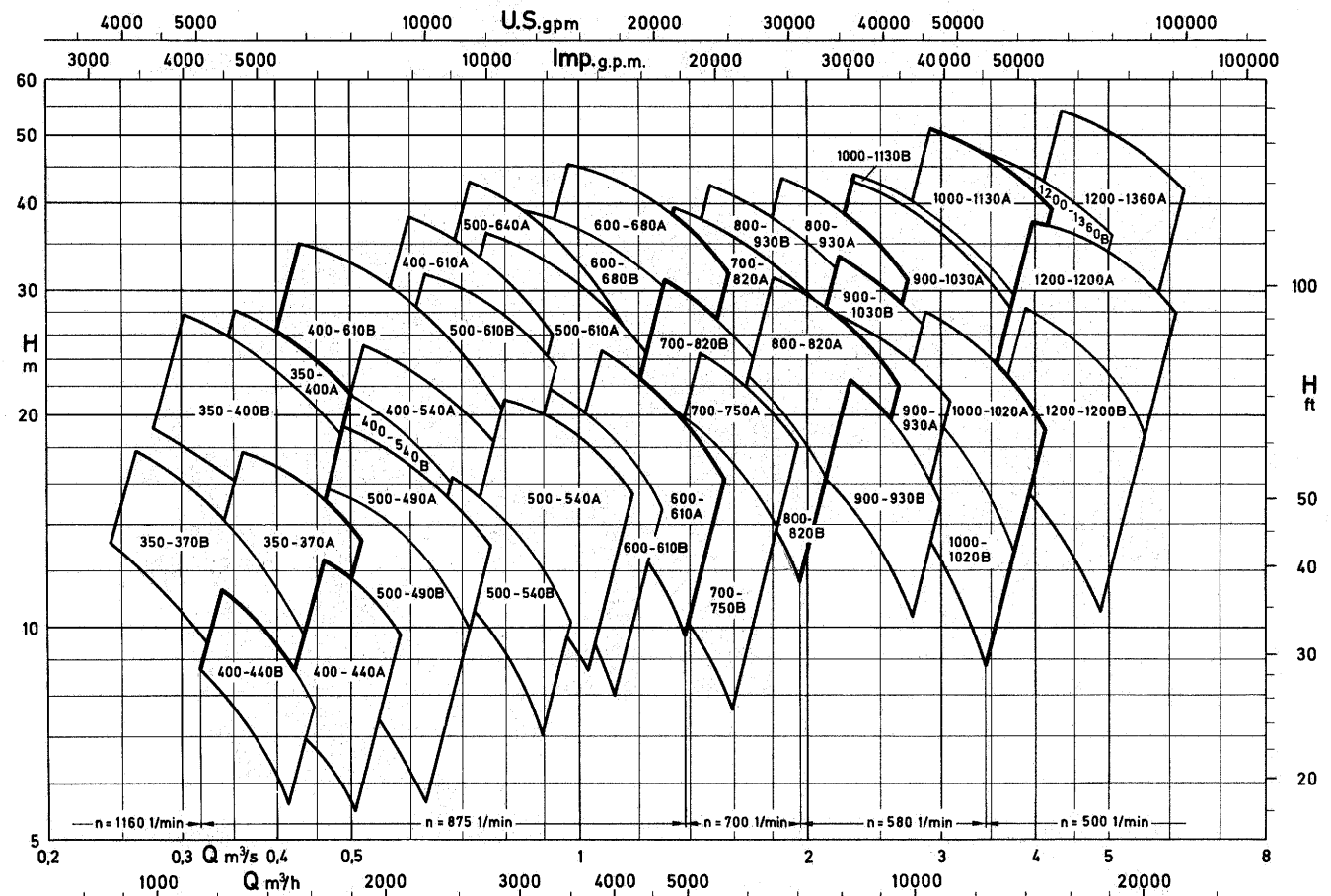
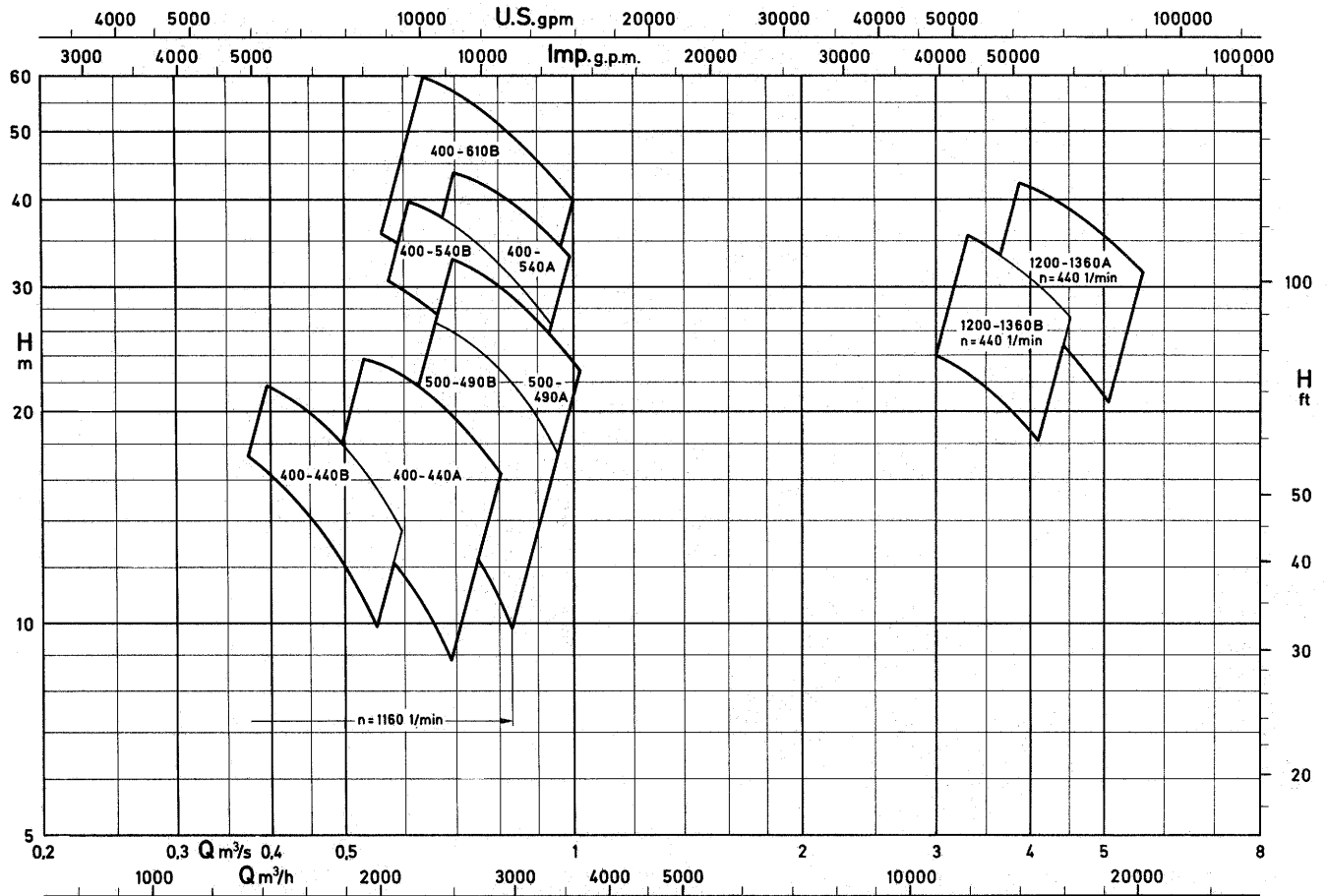
Drive

All types such as electric motor, internal combustion engine, steam turbine with or without gearbox.

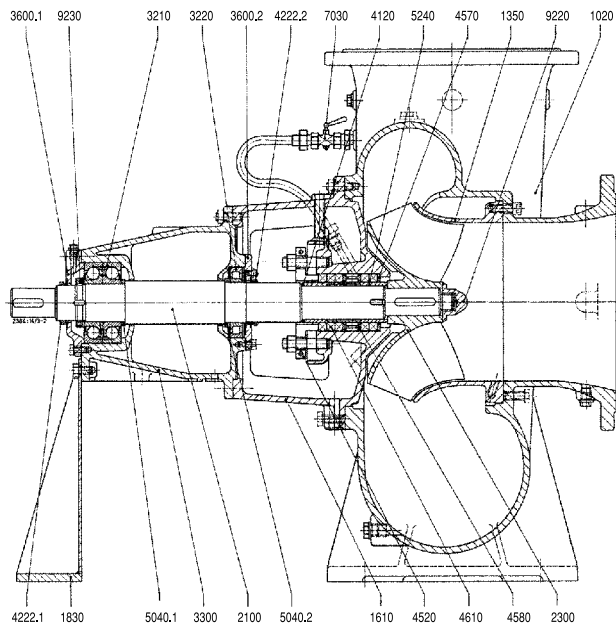
Materials

Casing	Cast iron, spheroidal graphite cast iron, gun metal or bronze
Impeller	Cast iron, bronze, aluminium bronze, cast chrome steel, cast chromium-nickel steel, cast chromium-molybdenum-nickel steel
Pump shaft	Steel, chromium-nickel steel or chrome steel
Shaft protecting sleeve	Cast chromium-molybdenum steel

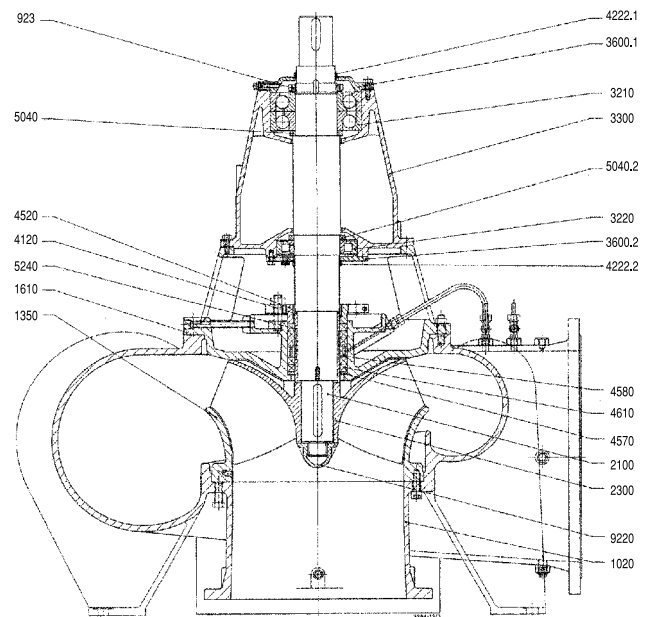
Selection Charts 60Hz



SPSY Horizontal Volute Casing Pump



CFYV Vertical Volute Casing Pump



Part No.	Part designation	Part No.	Part designation	Part No.	Part designation
1020	Volute casing	3300	Bearing bracket	4580	Lantern ring
1350	Protector	3600.1	Bearing cover	4610	Gland packing
1610	Casing cover	3600.2	Bearing cover	5040.1	Spacer ring
1830	Support foot	4120	O-ring	5040.2	Spacer ring
2100	Shaft	4222.1	V-ring	5240	Shaft protecting sleeve
2300	Impeller	4222.2	V-ring	7030	Flushing piping
3210	Ball bearing	4520	Gland cover	9220	Impeller nut
3220	Roller bearing	4570	Grand ring	9230	Ball nut



TORISHIMA PUMP MFG. CO., LTD.

Head Office & Works: 1-1-8, Miyata-cho, Takatsuki City, Osaka, Japan. Phone: 072-695-0551 Telefax: 072-693-1288

TORISHIMA SINGAPORE

SINGAPORE BRANCH 30 Ubi Crescent #01-02 Ubi Techpark Singapore 408566 Phone: (65)6779-0123 Telefax: (65)6779-6900

TORISHIMA HONG KONG

TORISHIMA (HONG KONG) LIMITED Unit 603, 6/F., Tower III, Enterprise Square, 9 Sheung Yuet Road, Kowloon Bay, Kowloon, Hong Kong
Phone: (852)2795-1838 Fax: (852)2754-3293

TORISHIMA MALAYSIA

TORISHIMA MALAYSIA SDN.BHD Suite 1906, 19th Floor Kenanga International Jalan Sultan Ismail 50250 Kuala Lumpur, Malaysia
Phone: (603)2715-0068 Fax: (603)2715-0019

TORISHIMA INDONESIA

P.T. TORISHIMA GUNA INDONESIA JL Rawa Sumur Timur No.1, Pulogadung Industrial Estate, P.O. Box.:1160 JAT., Jakarta 13930, Indonesia
Phone: (62)21-460-3963,(62)21-460-3964,(62)21-480-0205 Fax:(62)21-460-3937

P.T. TORISHIMA GUNA ENGINEERING JL Rawa Sumur Timur No.1, Pulogadung Industrial Estate, P.O. Box.:1160 JAT., Jakarta 13930, Indonesia
Phone: (62)21-460-3963,(62)21-460-3964,(62)21-480-0205 Fax:(62)21-460-3937

P.T. GETEKA FOUNINDO JL Rawa Sumur Timur No.1, Pulogadung Industrial Estate, P.O. Box.:1160 JAT., Jakarta 13930, Indonesia
Phone: (62)21-460-3936,(62)21-460-3937 Fax: (62)21-460-3937

TORISHIMA U.A.E

MIDDLE EAST OFFICE 5th Floor, office No.503, Al Salmeeen Golden Tower, P.O. Box.:72197, Electra Street, Abu Dhabi. U.A.E
Phone: (971)2-6743880 Fax:(971)2-6743881

TORISHIMA U.K.

EUROPE OFFICE 20/23 Woodside place Glasgow G3 7QF, Scotland, United Kingdom Phone: (44)141-304 4546 Fax:(44)141-332 4927

TORISHIMA U.S.

U.S. OFFICE 82B Daniels Road, Charlton, MA01507, United States of America Phone: (1)866-374-1130 Fax:(1)508-248-9321